



BY APPOINTMENT TO
HER MAJESTY QUEEN ELIZABETH II
MANUFACTURE OF KITCHEN & BATHROOM TAPS & MIXERS
BARBER WILSONS & CO. LTD
LONDON

LONDON

BARBER WILSONS & CO

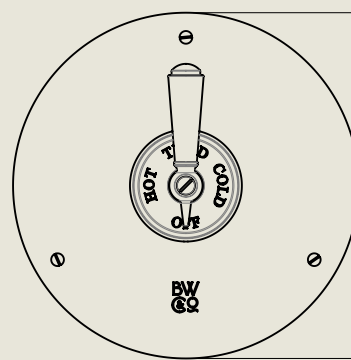
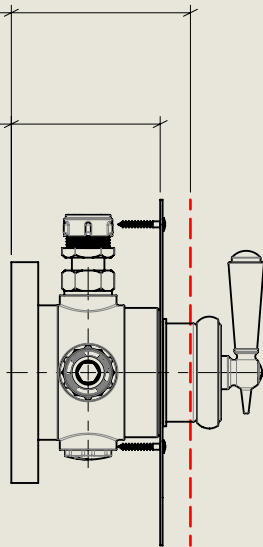
EST. 1905

118mm [4⁵/₈"

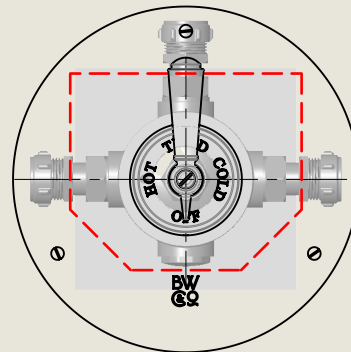
Maximum

98mm [3⁷/₈"

Minimum



Ø 229mm [9"]



American adapters fitted as standard when purchased via BW&Co USA

Model No.

RMLPS53C

Description

Regent Metal Lever PS53C

Complete



BY APPOINTMENT TO
HER MAJESTY QUEEN ELIZABETH II
MANUFACTURE OF KITCHEN & BATHROOM TAPS & MIXERS
BARBER WILSONS & CO. LTD
LONDON

LONDON

BARBER WILSONS & CO

EST. 1905

118mm [4⁵/₈"

Maximum

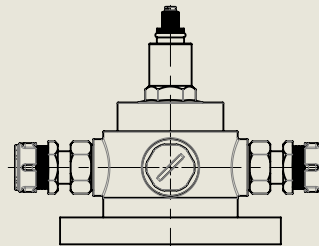
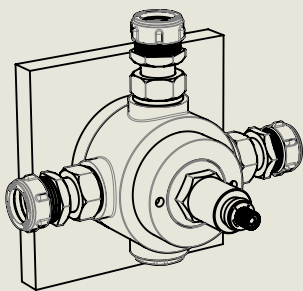
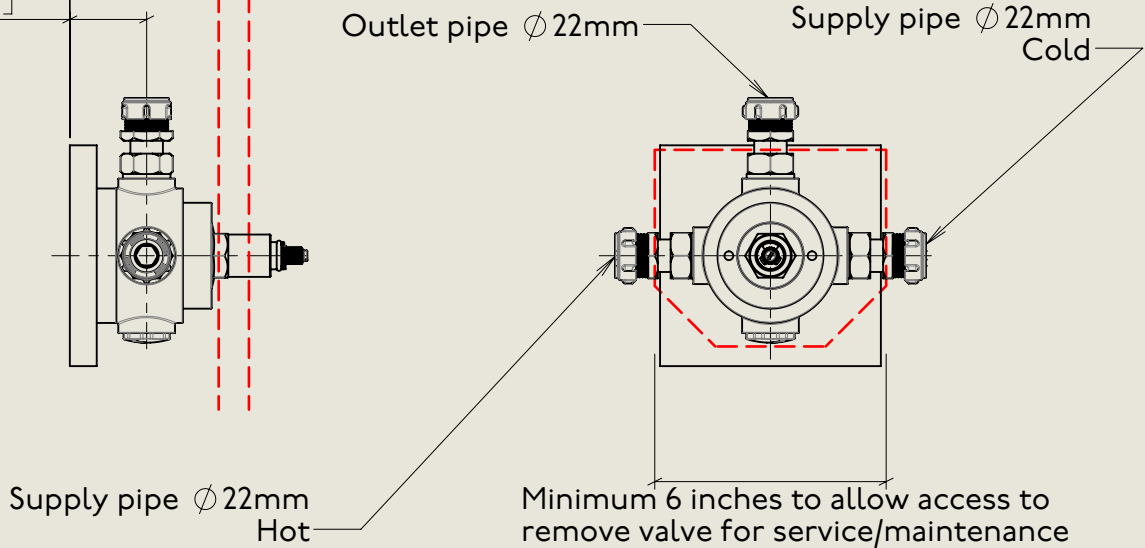
98mm [3⁷/₈"

Minimum

51mm [2"

20mm [3/4"

Tolerance



Water pressure testing screw
(First Fix only)

American adapters fitted as standard when purchased via BW&Co USA

Model No.

RMLPS53C

Description

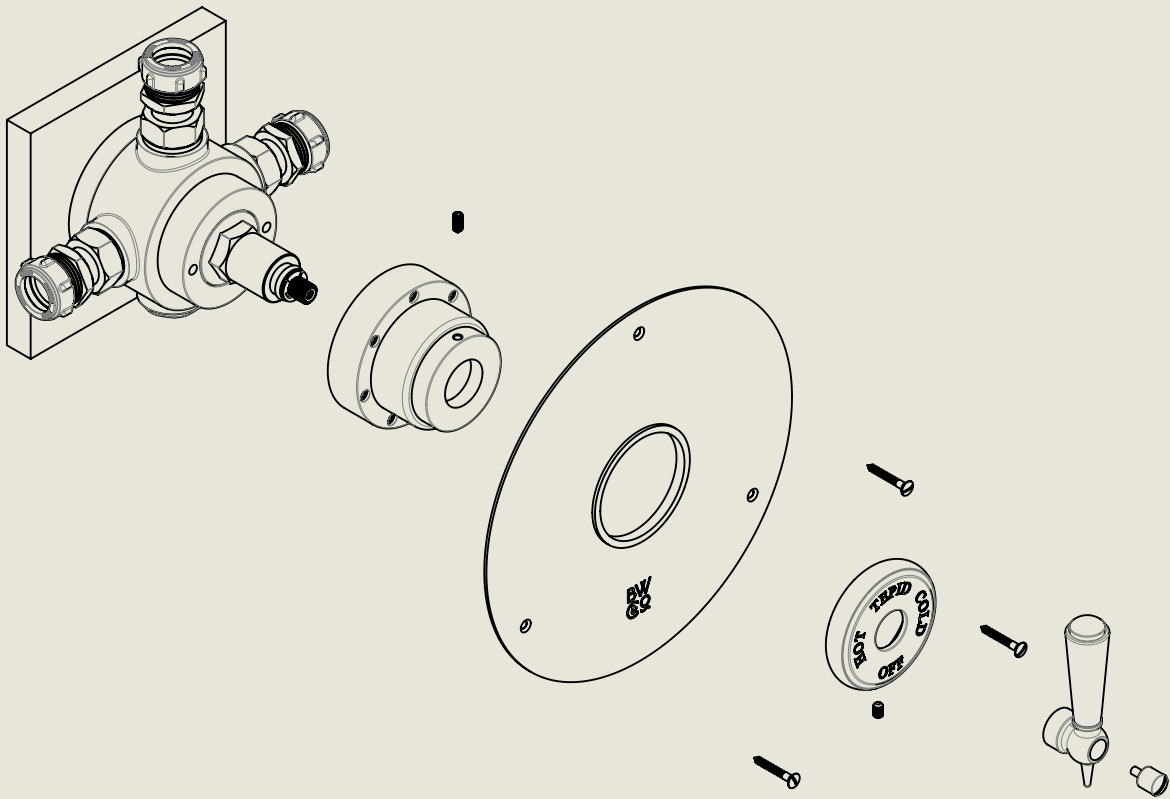
Regent Metal Lever PS53C

First Fix



BY APPOINTMENT TO
HER MAJESTY QUEEN ELIZABETH II
MANUFACTURE OF KITCHEN & BATHROOM TAPS & MIXERS
BARBER WILSONS & CO. LTD
LONDON

LONDON BARBER WILSONS & CO EST. 1905



American adapters fitted as standard when purchased via BW&Co USA

Model No.	Description	
RMLPS53C	Regent Metal Lever PS53C	Second Fix