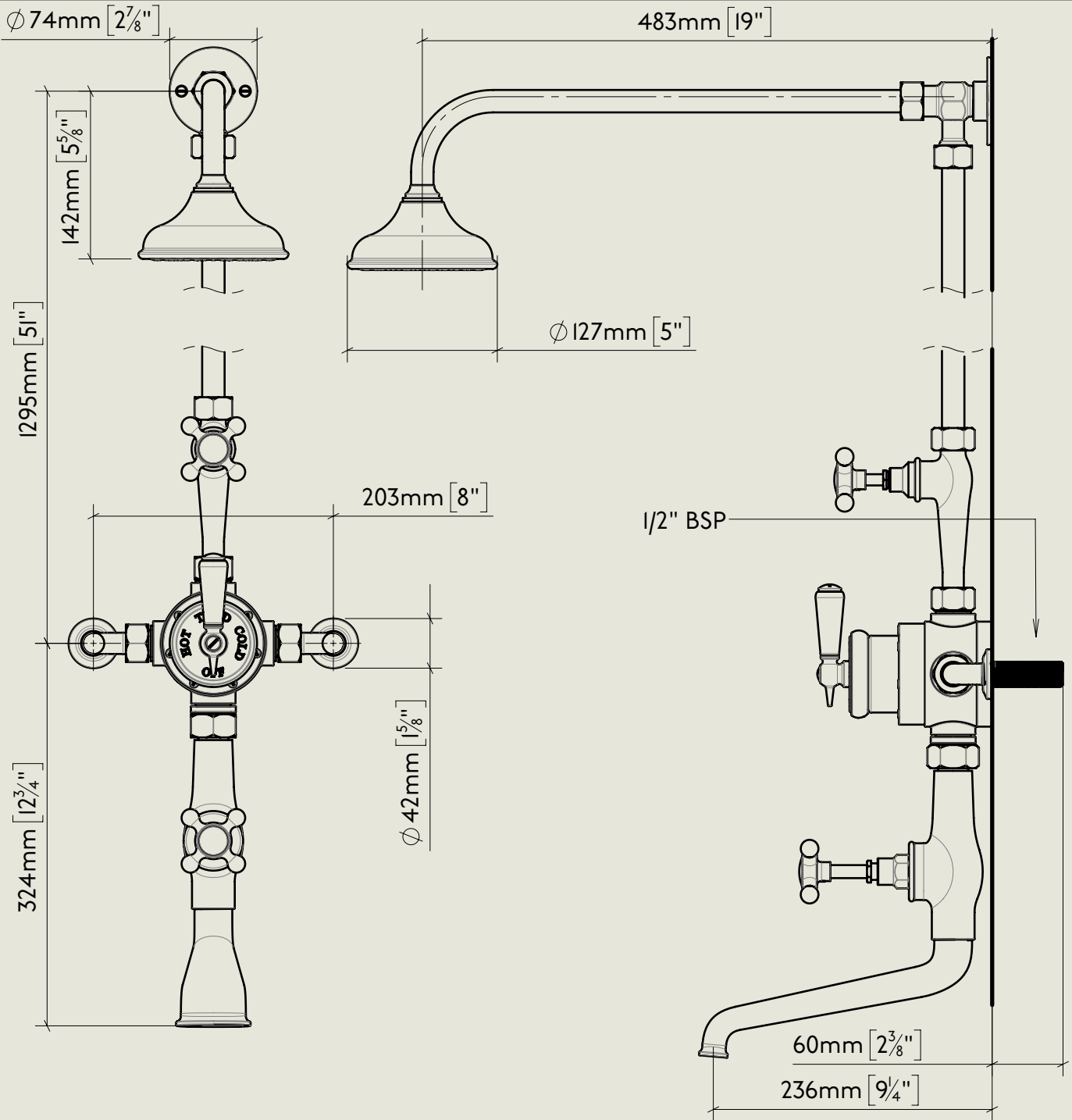




BY APPOINTMENT TO
HER MAJESTY QUEEN ELIZABETH II
MANUFACTURE OF KITCHEN & BATHROOM TAPS & MIXERS
BARBER WILSONS & CO. LTD
LONDON

LONDON **BARBER WILSONS & CO** EST. 1905



American adapters fitted as standard when purchased via BW&Co USA

Model No.

R5700BA-1890

Description

Regent 5700BA, 1890's Style
Exposed Thermostatic Dual Control
Shower/Bath Filler, 1/2" BSP Tail Inlet

Complete

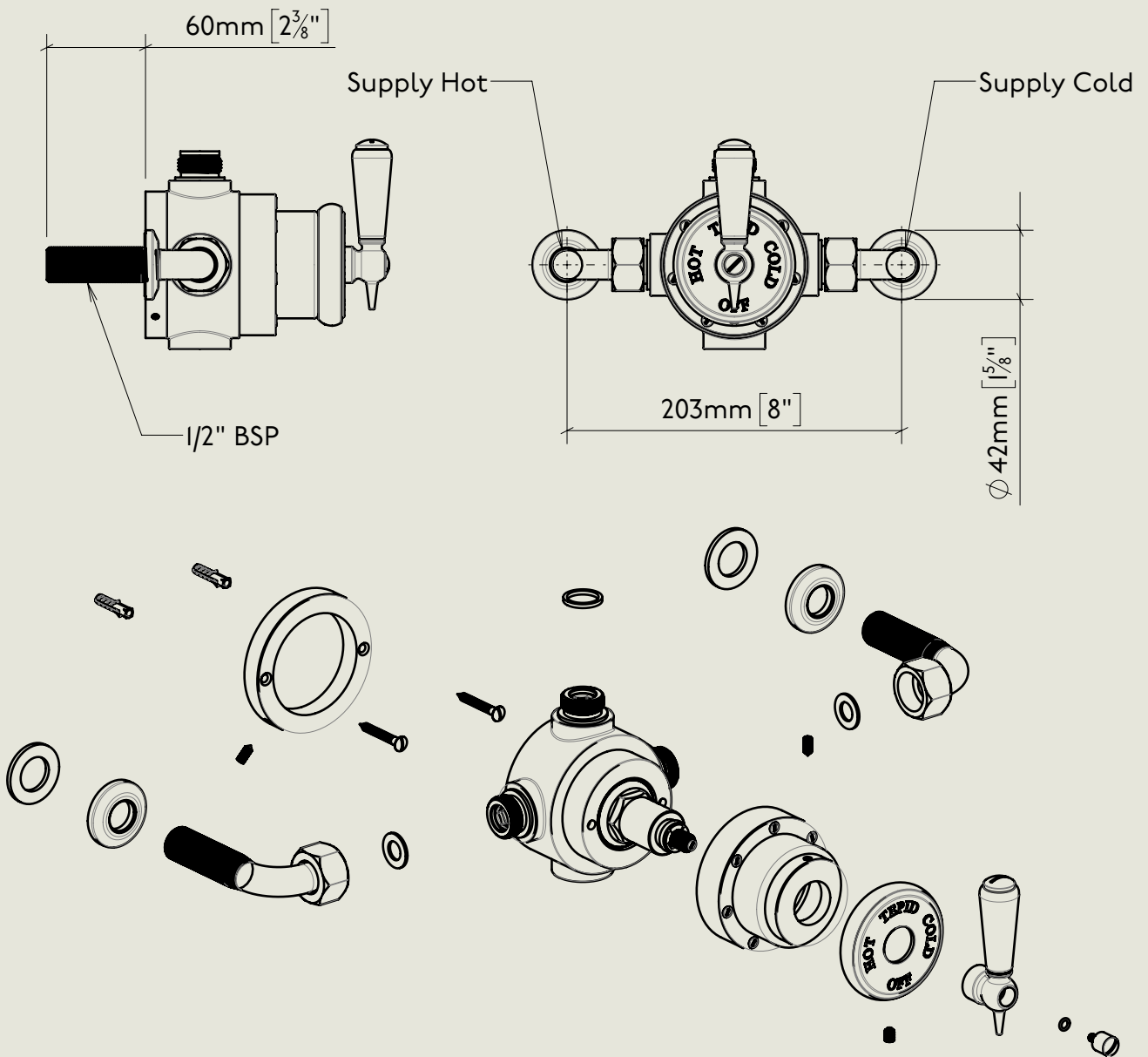


BY APPOINTMENT TO
HER MAJESTY QUEEN ELIZABETH II
MANUFACTURE OF KITCHEN & BATHROOM TAPS & MIXERS
BARBER WILSONS & CO. LTD
LONDON

LONDON

BARBER WILSONS & CO

EST. 1905



American adapters fitted as standard when purchased via BW&Co USA

Model No.

RPS53

Description

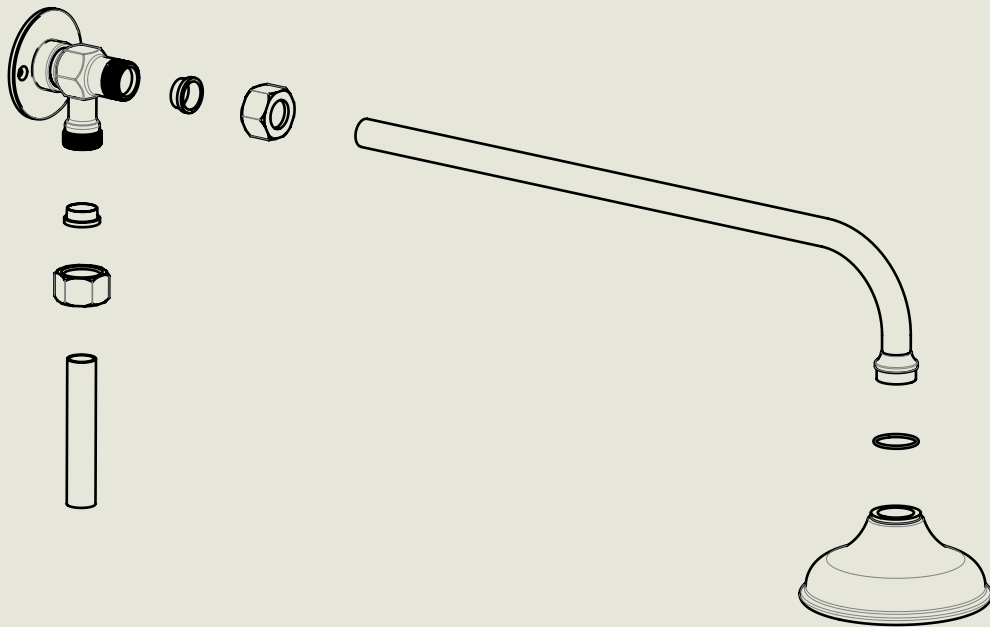
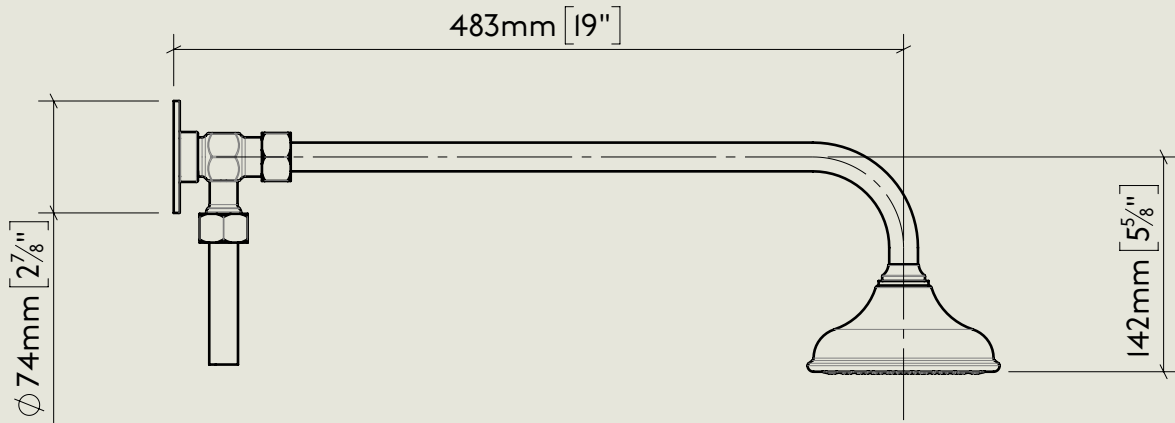
Regent PS53
Exposed Regent Thermostatic Shower Valve,
1/2" BSP Tail Inlet

Thermostat



BY APPOINTMENT TO
HER MAJESTY QUEEN ELIZABETH II
MANUFACTURE OF KITCHEN & BATHROOM TAPS & MIXERS
BARBER WILSONS & CO. LTD
LONDON

LONDON BARBER WILSONS & CO EST. 1905



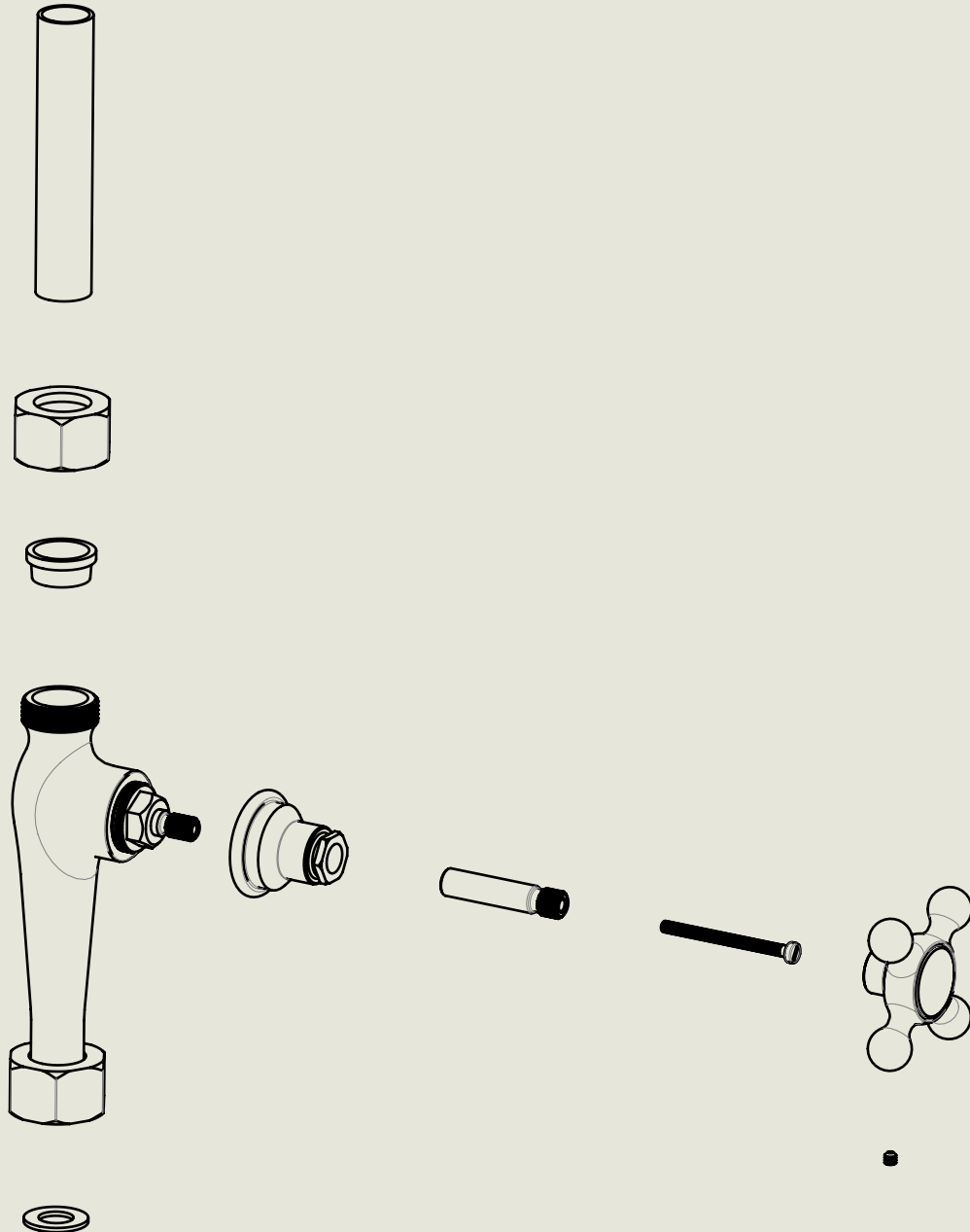
American adapters fitted as standard when purchased via BW&Co USA

Model No.	Description	
PS40A-PS29S / PS10	Exposed Back Plate and Seventeen and a Half Inch Shower Arm with Fixed Drench Head Rose 5"	Headwork



BY APPOINTMENT TO
HER MAJESTY QUEEN ELIZABETH II
MANUFACTURE OF KITCHEN & BATHROOM TAPS & MIXERS
BARBER WILSONS & CO. LTD
LONDON

LONDON BARBER WILSONS & CO EST. 1905



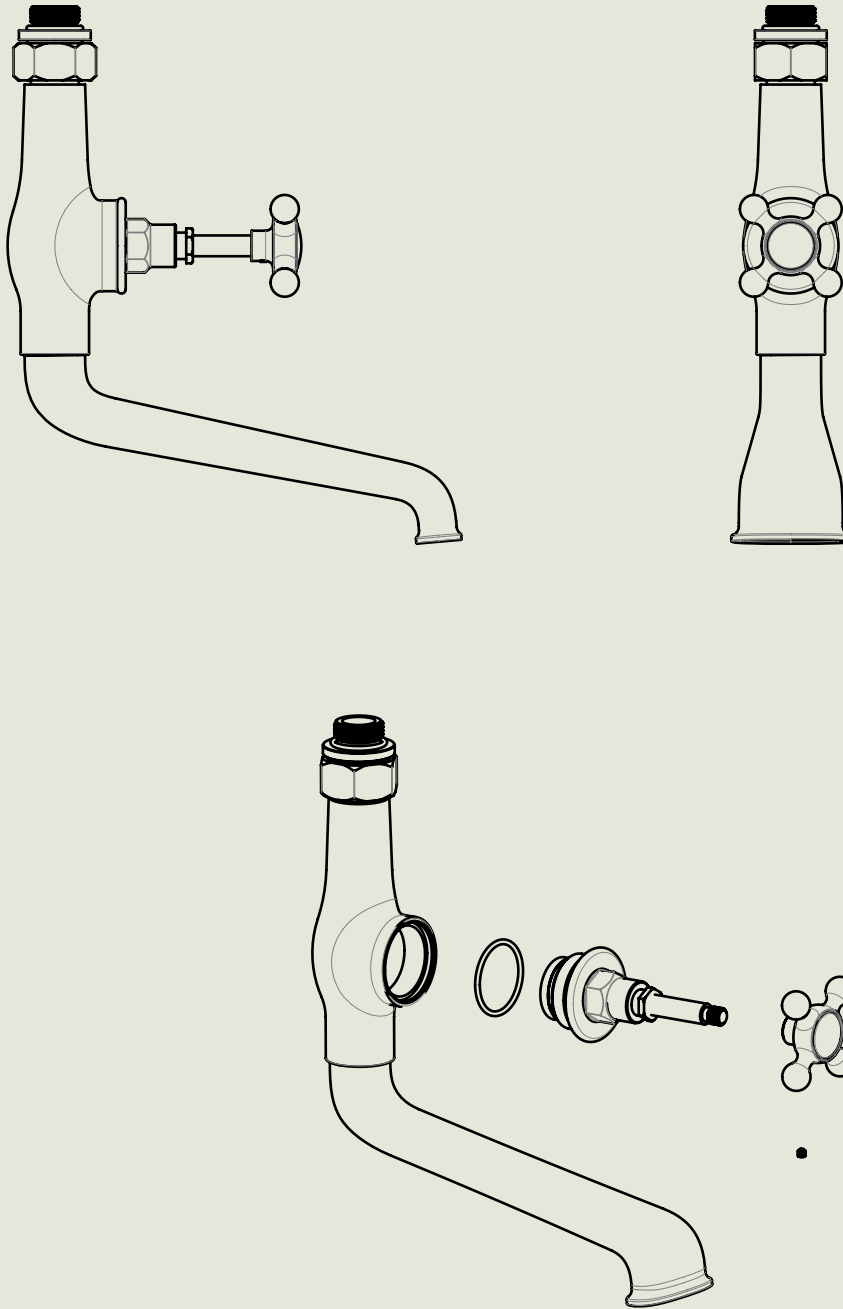
American adapters fitted as standard when purchased via BW&Co USA

Model No.	Description	
-	Exposed Shower Control Valve 1890	Control Valve



BY APPOINTMENT TO
HER MAJESTY QUEEN ELIZABETH II
MANUFACTURE OF KITCHEN & BATHROOM TAPS & MIXERS
BARBER WILSONS & CO. LTD
LONDON

LONDON BARBER WILSONS & CO EST. 1905



American adapters fitted as standard when purchased via BW&Co USA

Model No.	Description	
-	Bath Filler-1890	Filler Spout